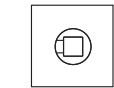
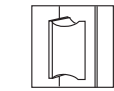


Standard lock

Mortise Lock Reversibl,complying with DIN 18250,class 3,

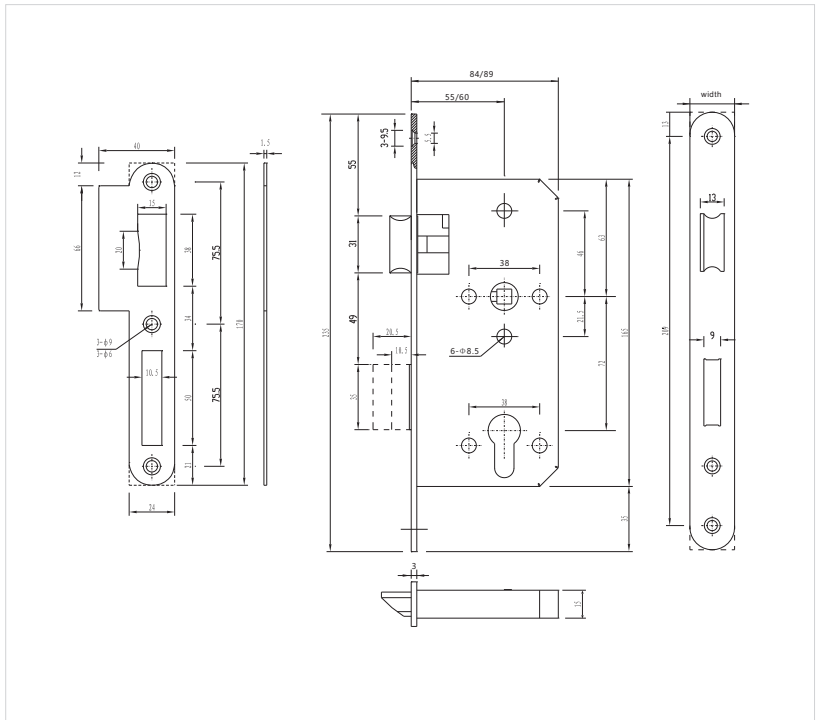
F



Follower 8X8



PZ = Profile cylinder (DIN 18252)



Type

H572Z

H6072Z

H72 Z Series

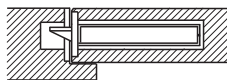
Classification EN 12209

3 H 9 1 0 G 2 B C 3 0

Features

- According to DIN 18.250 class 3
- For wooden or steel doors with CE certificate
Lock case size DIN 18251-1, closed case with sleeves,
- Suitable for external fire or smoke protection doors
- Prepared for profile cylinders
- With key action
- Deadbolt 2-turns

Door Type



profile of a non rebated door with mortise lock (forend protruding on one side)

Technical Data

- Follower 8X8mm
- Distance 72mm
- Backset 55mm 60mm

Forend

- Type round head, square head
- Thickness 3mm
- Width 20, 22, 24mm

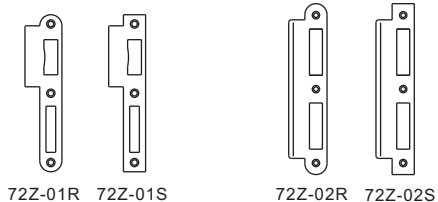
Forend finish

- Stainless steel SSS PSS PVD

Accessories

- Striking plate
- Pocket
- Lock and strike plate fixing screws

Strike Plate Type



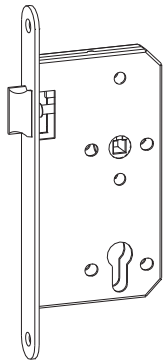
BEIJING HSK TECHNOLOGY CO.,LTD
 www.hsklock.com Email:info@houselock.com.cn TEL: 0086-10-85386092

HSK[®]
Project locks

Standard lock

Mortise lock reversible

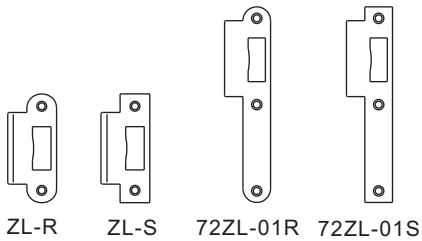
H72Z Series



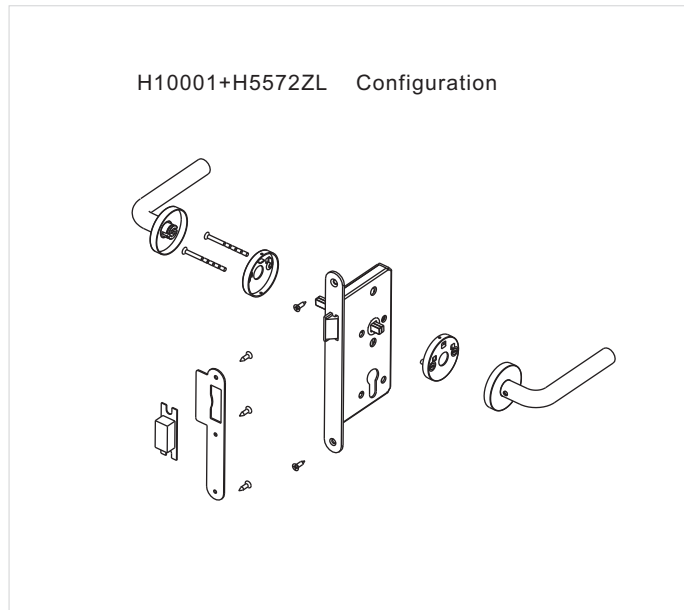
Type

- H5572ZL
- H6072ZL

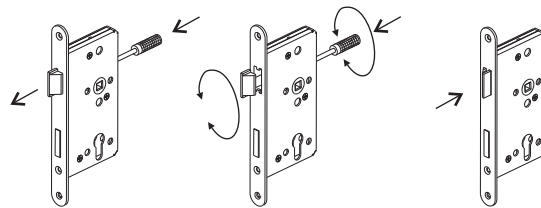
Strike plate type



ZL-R ZL-S 72ZL-01R 72ZL-01S

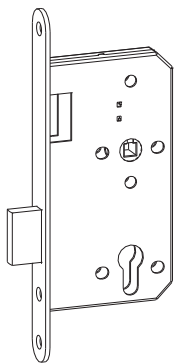


Latch Bolt Lock



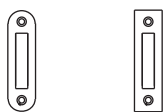
Reverse left/right hand

Dead Bolt Lock

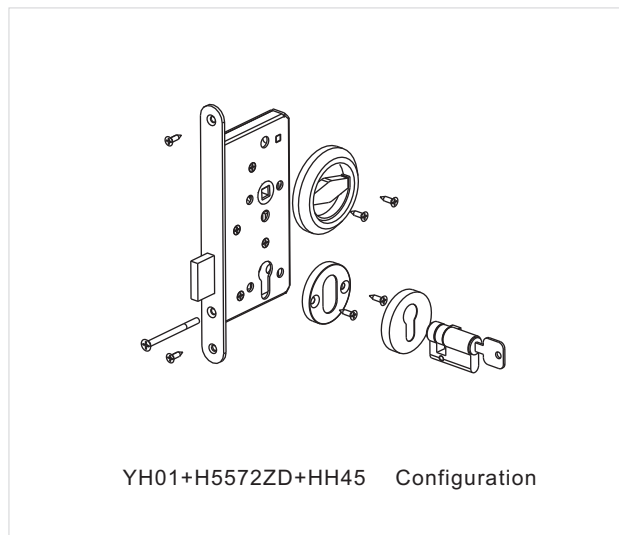


Type

- H5572CD
- H6072CD



ZD-R ZD-S



YH01+H5572ZD+HH45 Configuration



BEIJING HSK TECHNOLOGY CO.,LTD
 www.hsklock.com Email: info@houselock.com.cn TEL: 0086-10-85386092

H72Z Series

Latch Bolt Lock reversible

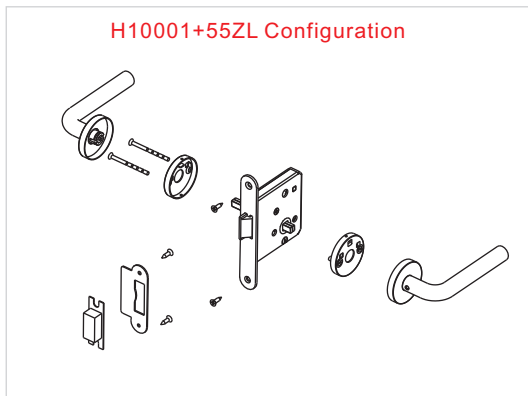
H72Z Series

Features

- According to DIN 18.250, class 3
- For wooden or steel doors
- Optional for non-rebated doors
- Suitable for external fire and smoke protection doors



Follower 8X8



H10001+55ZL Configuration

F



○ **Type:**
55ZL □

○ **Strike plate type**



ZL-R



ZL-S



Technical data

- Follower 8X8mm
- Backset 55mm

Forend

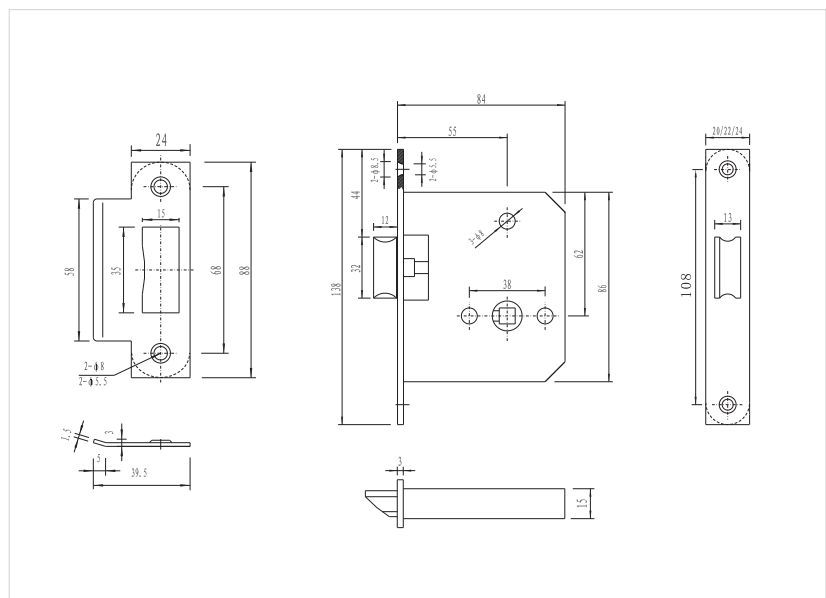
- Type round head, square head
- Thickness 3mm
- Width 20, 22, 24mm

Forend finish

- Stainless steel SSS PSS PVD

Accessories

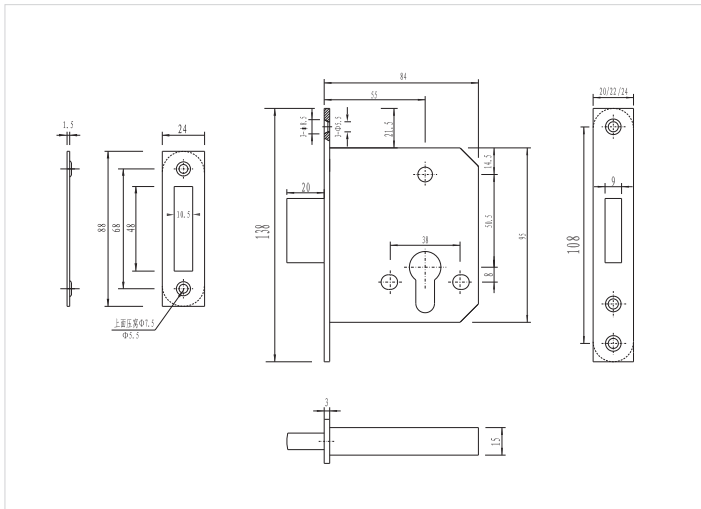
- Striking plate
- Pocket
- Lock and strike plate fixing screws



BEIJING HSK TECHNOLOGY CO.,LTD
www.hsklock.com Email:info@houselock.com.cn TEL: 0086-10-85386092

HSK[®]
Project locks

Dead Bolt Lock



F



Type:
55ZD □



PZ = Profile cylinder (DIN 18252)

Strike plate type



ZD-R



ZD-S

Features

- According to DIN 18.250 class 3
- For wooden or steel doors
- Optional for non-rebated doors
- Suitable for external fire and smoke protection doors
- Prepared for profile cylinders
- With key action
- Deadbolt 2-turns

Technical data

- Backset 55mm

Forend

- Type round head, square head
- Thickness 3mm
- Width 20, 22, 24mm

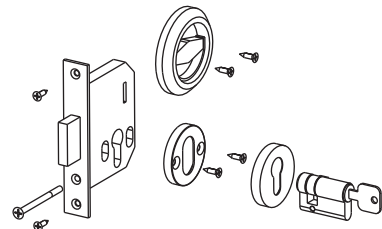
Forend finish

- Stainless steel SSS PSS PVD

Accessories

- Striking plate
- Pocket
- Lock and strike plate fixing screws

YH01+55ZD+HH45 Configuration



CH02+55ZD+HH45 Configuration

